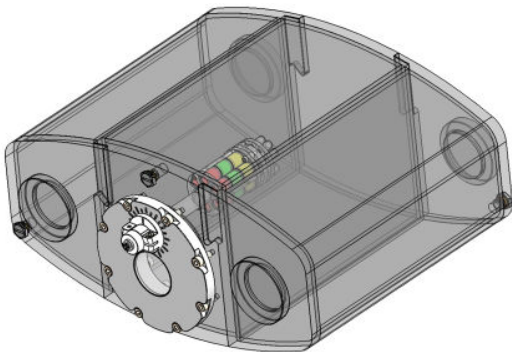




## Model 208 Premium Prostate Phantom Spec Sheet

- Developed in collaboration with NIST and University of Minnesota.
- Three piece acrylic housing filled with 0.4% saline, overall size: 30 cm long (axial), 40 cm wide (sagittal), 19 cm high (coronal).
- Rotatable prostate mimic assembly comprised of:
  - T1 mimics\*: 7x vials with NIST-traceable  $\text{NiCl}_2$  solutions from  $\sim 120$  ms to  $\sim 1900$  ms.
  - T2 mimics\*: 7x vials with NIST-traceable  $\text{MnCl}_2$  solutions from  $\sim 30$  ms to  $\sim 270$  ms.
  - ADC mimics\*: 7x vials with NIST-measured PVP solutions with ADC values from  $\sim 0.3 \times 10^{-3} \text{ mm}^2/\text{sec}$  to  $\sim 2 \times 10^{-3} \text{ mm}^2/\text{sec}$ .
  - Patented ten-element liquid crystal (LC) thermometer, MR-readable, for temperature compensation from  $15^\circ\text{C}$  to  $24^\circ\text{C}$ .
  - Resolution insert with hole patterns in diameters from 0.4 mm to 1.2 mm.
- Optional tubes for insertion of  $\varnothing 25$  mm and  $\varnothing 40$  mm endo-rectal rf coils (ERC).
- Compatible with qCal-MR<sup>®</sup> QA/QC software.



CaliberMRI provides MRI phantoms with calibration solutions and tissue mimics that have traceability up to and including full SI traceability through NIST when available.

\*Nominal values taken at 3T at  $20^\circ\text{C}$

4909 Nautilus Court North, Suite 121, Boulder, Colorado 80301 USA  
+1.720.828.QMRI (7674) | [info@qmri.com](mailto:info@qmri.com) | [www.qmri.com](http://www.qmri.com)